

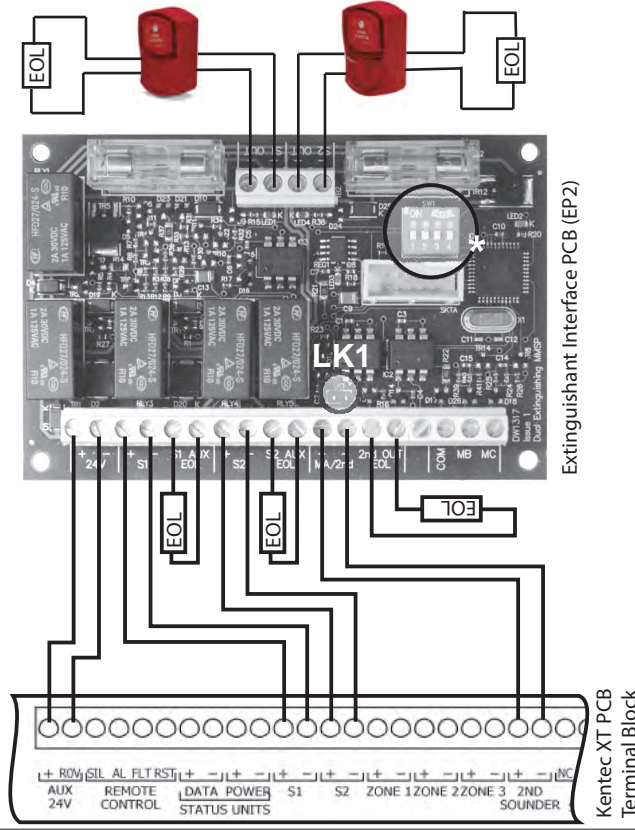
**WIRING AND TESTING DETAILS**

**Wiring**

- Ensure that Control Panel is isolated from the power supply and battery back up during installation
- Connect the +(ve) and -(ve) terminals of the Kentec XT PCB to +24V and 0V on EP2
- Connect S1+ and S1- terminals of the Kentec XT PCB to S1+ and S1- on EP2
- Connect S2+ and S2- terminals of the Kentec XT PCB to S2+ and S2- on EP2
- A 10K0 Resistor should be fitted across both terminals of S1 AUX EOL and S2 AUX EOL on EP2
- Connect 2ND SOUNDER + / - terminals of the Kentec XT PCB to 2ND+ and 2ND- on EP2
- Connect Fire-Cryer Plus +(ve) and -(ve) to S1/S2 OUT+ and S1/S2 OUT- on EP2
- A 10K EOL resistor should be fitted to 2nd OUT EOL and S2 OUT+ and - if S2 OUT is not used
- Link LK1 must be OFF on EP2
- \*All DIL Switches should be OFF on EP2

**Testing**

- Power up the XT Control Panel
- LED2 should be 'blinking'
- LED3 should be on constant
- Activating any of the messages should light LED1 and LED4



Extinguishant Interface PCB (EP2)

Kentec XT PCB Terminal Block

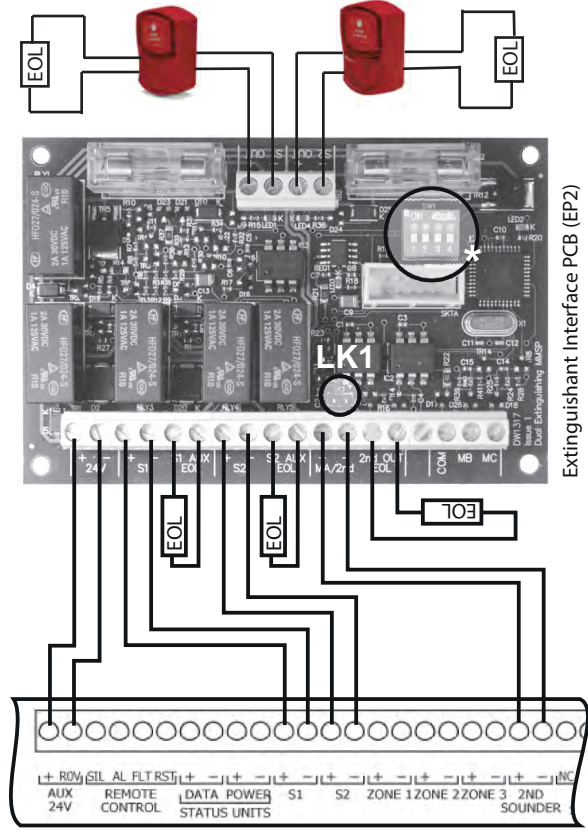
Vimpex Limited  
Star Lane, Great Wakering  
Essex SS3 0PJ England  
Tel: +44 (0) 1702 21 6999  
E-mail: sales@vimpex.co.uk  
www.vimpex.co.uk

**Wiring**

- Ensure that Control Panel is isolated from the power supply and battery back up during installation
- Connect the +(ve) and -(ve) terminals of the Kentec XT PCB to +24V and 0V on EP2
- Connect S1+ and S1- terminals of the Kentec XT PCB to S1+ and S1- on EP2
- Connect S2+ and S2- terminals of the Kentec XT PCB to S2+ and S2- on EP2
- A 10K0 Resistor should be fitted across both terminals of S1 AUX EOL and S2 AUX EOL on EP2
- Connect 2ND SOUNDER + / - terminals of the Kentec XT PCB to 2ND+ and 2ND- on EP2
- Connect Fire-Cryer Plus +(ve) and -(ve) to S1/S2 OUT+ and S1/S2 OUT- on EP2
- A 10K EOL resistor should be fitted to 2nd OUT EOL and S2 OUT+ and - if S2 OUT is not used
- Link LK1 must be OFF on EP2
- \*All DIL Switches should be OFF on EP2

**Testing**

- Power up the XT Control Panel
- LED2 should be 'blinking'
- LED3 should be on constant
- Activating any of the messages should light LED1 and LED4



Extinguishant Interface PCB (EP2)

Kentec XT PCB Terminal Block

Vimpex Limited  
Star Lane, Great Wakering  
Essex SS3 0PJ England  
Tel: +44 (0) 1702 21 6999  
E-mail: sales@vimpex.co.uk  
www.vimpex.co.uk